

User Guide

INF4218.0/1- Pinout





The J1939 protocol was initially designed as a dedicated communication and diagnostics protocol for the complex networks of huge vehicles. It is commonly used in heavy-duty vehicles such as:

Trucks	Material handling machines
Tractors	Marine propulsion
Trailers	Aid and rescue
Agriculture vehicles	

and many other off-road vehicles.

Today, it is widely recognized by diesel engine manufacturers across the world.

J1939 provides diagnostic data such as:

- vehicle engine speed,
- temperature,
- oil temperature,
- exhaust emissions,
- and other customizable options

It also:

- Specifies how to handle multi-packet messages.
- Enable communication across large complex networks.
- Specifies how to convert data into human-readable information.
- Defines diagnostics interface of its own.

INF4218.0 J1939 Cable (OEM CAN Bus - Free wire) (30 Numbers)

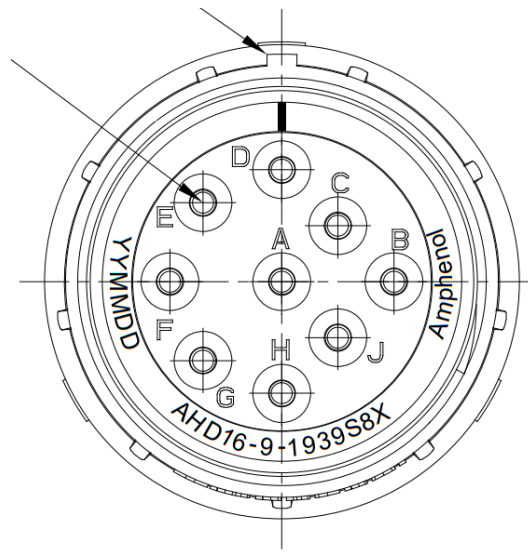


J1939 Cable/Wire Preference

22 AWG (0.50 mm²) *Having twisted pairs of cables for each CAN Bus is preferable.*



PIN Assignment



PIN Mapping

J1939 Type 2	Signal	Free Wire (Core Colour)
A	Ground	Black
B	Battery	Red
C	J1939 CAN - High	Green
D	J1939 CAN - Low	Yellow
E	J1939 Shield	-
F	CAN High	-
G	CAN Low	-
H	OEM CAN High	Brown
J	OEM CAN High	White

Connector

Automotive Connectors 9P F PLG LCK RNG GRN TYPE II SZ16 SKT CN

Technical Specifications:

Cable Length: Length 1700 mm (excluding the length of connectors at both ends)

Wire Diameter: 7mm

Operating Temperature: -55 °C to -125 °C

Current rating: 13 AMPS

Cable weight: 194g

Colour: Green

Specifications: cable adopts twisted pair, copper conductor, wire core 22awg, 0.5mm, CSA 19/0.2, conforming to UL American standard, UL1213.



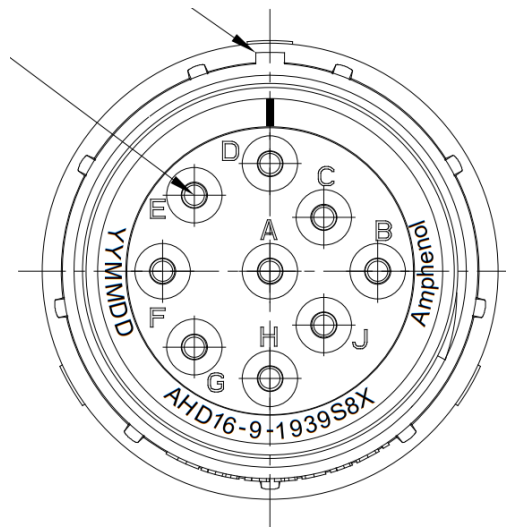
INF4218.1 J1939 Cable (Standard J1939 connector to D-sub-9)



J1939 Cable/Wire Preference

22 AWG (0.50 mm²) *Having twisted pairs of cables for each CAN Bus is preferable.*

PIN Assignment



PIN Mapping

J1939 Type 2	Signal	DB 9 Female Screw	Core Colour
A	Ground	5	Black
B	Battery	9	Red
C	J1939 500Kbps - High	7	Green
D	J1939 500Kbps - Low	2	Yellow
H	J1939 250Kbps - High	8	Brown
J	J1939 250Kbps - Low	1	White



Connector

Automotive Connectors 9P F PLG LCK RNG GRN TYPE II SZ16 SKT CN

Technical Specifications:

Cable Length: Length 1700 mm (excluding the length of connectors at both ends)

Wire Diameter: 7mm

Operating Temperature: -55 °C to -125 °C

Current rating: 13 AMPs

Cable weight: 194g

Colour: Green

Specifications: cable adopts twisted pair, copper conductor, wire core 22awg, 0.5mm, CSA 19/0.2, conforming to UL American standard, UL1213.

Related products:

The J1939 Cables INF4218.0 (OEM CAN Bus - Free wire) and INF4218.1 (Standard J19392 connector to D-sub-9) Allow you to connect your ReXgen and Rebel Series data loggers directly to CAN Bus.

Use Cases:

The J1939 Cables INF4218.0/1 are best suited for use in most heavy-duty vehicles- such as Tractor OHM, trucks, Mining and excavating machines, transit buses, construction machinery and any heavy-duty vehicle that makes use of J1939 protocol with our CAN bus data loggers.

Influx Technology Headquarters

Office Suite 22,
Building 03 Millbrook Proving Ground,
Station Lane Millbrook
Bedford
MK45 2JQ

Telephone: +44 (0) 1525 842504
Sales: sales@influxtechnology.com

Influx Big Data Solutions Pvt Ltd

3358E,
13th Main Rd,
HAL 2nd Stage,
Doopanahalli,
Indiranagar,
Bengaluru, 560008
India

Phone: +91 8043781599
Sales: sales_india@influxtechnology.com

Influx Technology Asia

Rm.722,
Flr.7,
Lisheng Tower,
Wangfujing Street 201,
Dongcheng District,
Beijing,
100005,
China

Telephone: 86-10-5718-1640
Email: info@influxasia.com